



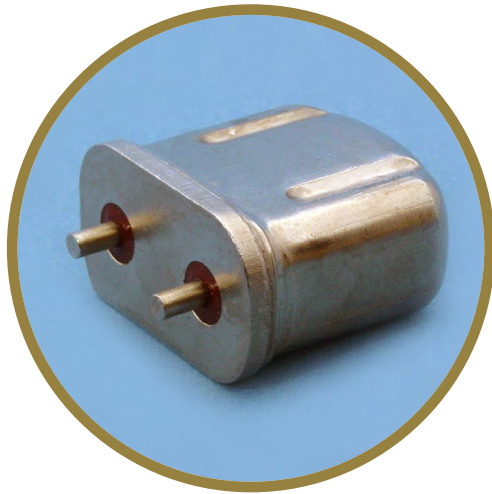
35HM | MOTOR PROTECTORS

HERMETICALLY SEALED ON-WINDING, 3-PHASE

Product Description

This protector is designed to protect 3-phase refrigeration and air conditioning compressor motors from excessive winding temperature; however, applications may be made to any WYE wound 3-phase motors where environmental conditions require a hermetic seal. The low profile permits the device to be installed directly on motor windings for closely coupled temperature monitoring, thus enhancing over-temperature protection against loss of refrigeration charge, low voltage locked rotor, and secondary single-phasing (loss of phase). The 35HM is designed to reduce installation costs by replacing pilot control systems with a simple, economical, compact device.

The basic element of the 35HM is the famous Klixon® Snap Acting Disc.



Features and Benefits

- Protect WYE (Star) wound 3-phase motors from 4 to 10HP. Used in refrigeration compressors, submersible pumps and other restrictive environments.
- In-line protection in a small, rugged, welded construction. Low profile shape allows for close coupling to motor windings.
- Hermetic reliability designed for leakage rates less than 1 x 10⁻⁹cc per second of air with 1 atmosphere pressure differential.
- Klixon® snap-action discs assure positive make and break action and controlled temperature differential.
- Designed for low and high side pressure applications.



SPECIFICATIONS

Maximum Recommended Locked Rotor Current

Standard Series				High Capacity Series			
1XX	2XX		3XX	4XX	5XX		6XX
230V	380V	460V	575V	230V	380V	460V	575V
150A	100A	85A	60A	240A	175A	145A	100A

Current ratings are based on life test data which has demonstrated high reliability at 5K cycles (standard series) and 2K cycles (high capacity series) at 0.7 power factor on Sensata life test boards. These capacities are intended as a guide for application work.

Standard Operating Temperatures

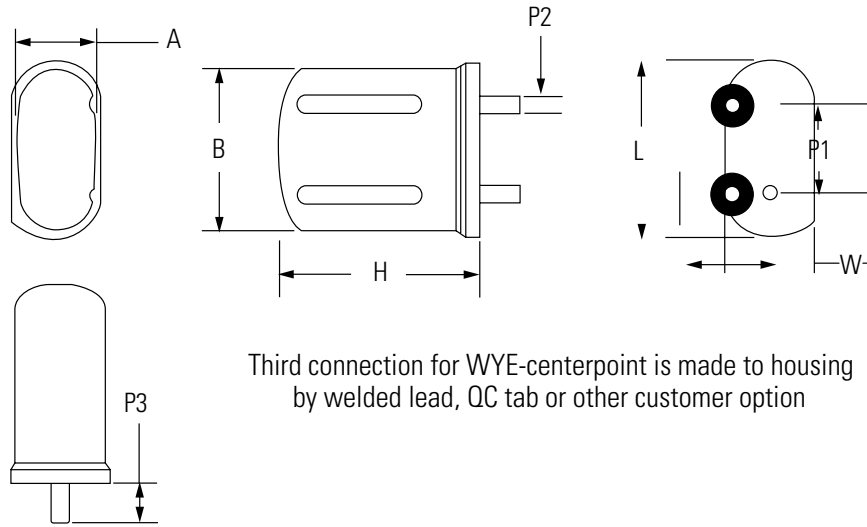
Open Temperature	95°C to 175°C (5°C Increments) Tolerance ±5°C
Closing Temperature	To Suit Application Tolerance ±9°C
Pressure Rating	1600 PSIG 110 Bar



DIAGRAMS

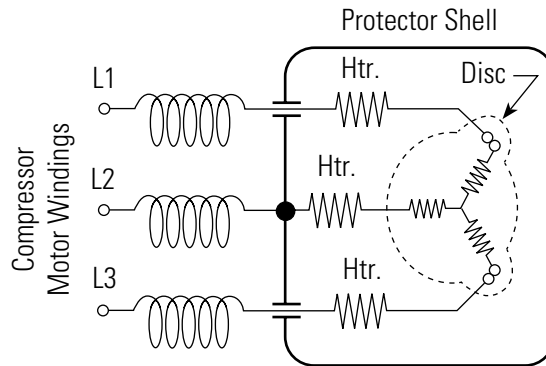
35HM Hermetic Motor Protector

Standard / High Capacity Device



Unit	L	W	H	P1	P2	P2 High Capacity	P3	A	B
Ins	1.470	0.860	1.375	0.735	0.125	0.187	0.250	0.765	1.375
mm	37.3	21.8	34.9	18.7	3.2	4.7	6.4	19.4	34.9

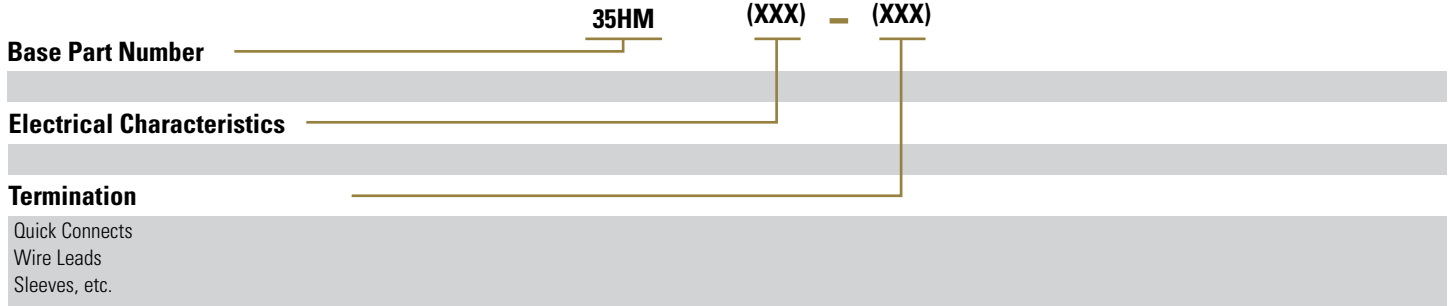
Electrical Schematic





ORDERING OPTIONS

Example : 35HM XXX-XXX



When making an inquiry on Klixon® hermetically sealed motor protectors, be certain to specify the entire part number for your application, if known. The six digits following the series identification indicate your specific electrical and physical requirement.



AGENCY APPROVALS & CERTIFICATIONS



Agency	File Number
UL/Canadian UL	E15962
DEKRA (ENEC)	2018218.08
CQC	CQC04002009845

Sensata Technologies, Inc. ("Sensata") data sheets are solely intended to assist designers ("Buyers") who are developing systems that incorporate Sensata products (also referred to herein as "components"). Buyer understands and agrees that Buyer remains responsible for using its independent analysis, evaluation and judgment in designing Buyer's systems and products. Sensata data sheets have been created using standard laboratory conditions and engineering practices. Sensata has not conducted any testing other than that specifically described in the published documentation for a particular data sheet. Sensata may make corrections, enhancements, improvements and other changes to its data sheets or components without notice.

Buyers are authorized to use Sensata data sheets with the Sensata component(s) identified in each particular data sheet. HOWEVER, NO OTHER LICENSE, EXPRESS OR IMPLIED, BY ESTOPPEL OR OTHERWISE TO ANY OTHER SENSATA INTELLECTUAL PROPERTY RIGHT, AND NO LICENSE TO ANY THIRD PARTY TECHNOLOGY OR INTELLECTUAL PROPERTY RIGHT, IS GRANTED HEREIN. SENSATA DATA SHEETS ARE PROVIDED "AS IS". SENSATA MAKES NO WARRANTIES OR REPRESENTATIONS WITH REGARD TO THE DATA SHEETS OR USE OF THE DATA SHEETS, EXPRESS, IMPLIED OR STATUTORY, INCLUDING ACCURACY OR COMPLETENESS. SENSATA DISCLAIMS ANY WARRANTY OF TITLE AND ANY IMPLIED WARRANTIES OF MERCHANTABILITY, FITNESS FOR A PARTICULAR PURPOSE, QUIET ENJOYMENT, QUIET POSSESSION, AND NON-INFRINGEMENT OF ANY THIRD PARTY INTELLECTUAL PROPERTY RIGHTS WITH REGARD TO SENSATA DATA SHEETS OR USE THEREOF.

All products are sold subject to Sensata's terms and conditions of sale supplied at www.sensata.com SENSATA ASSUMES NO LIABILITY FOR APPLICATIONS ASSISTANCE OR THE DESIGN OF BUYERS' PRODUCTS. BUYER ACKNOWLEDGES AND AGREES THAT IT IS SOLELY RESPONSIBLE FOR COMPLIANCE WITH ALL LEGAL, REGULATORY AND SAFETY-RELATED REQUIREMENTS CONCERNING ITS PRODUCTS, AND ANY USE OF SENSATA COMPONENTS IN ITS APPLICATIONS, NOTWITHSTANDING ANY APPLICATIONS-RELATED INFORMATION OR SUPPORT THAT MAY BE PROVIDED BY SENSATA.

Mailing Address: Sensata Technologies, Inc., 529 Pleasant Street, Attleboro, MA 02703, USA.

CONTACT US

Americas

+1 508 236 2551
electrical-protection-sales@sensata.com

Europe, Middle East & Africa

+3 174 357 8156
info-sse@list.sensata.com

Asia Pacific

EP_Asia_Public@list.sensata.com

China +86 (21)2306 1651

India +91 (40)4033 9611

Japan +81 (45)277 7104

Korea +82 (53) 644 9685

Rest of Asia +65(6478)6860