

8EA SERIES

PTC MOTOR STARTERS

Product Overview

The Sensata Technologies 8EA motor starter, a low-cost alternative to electro-mechanical relays, performs the PTC (positive temperature coefficient) solid-state starter function. The 8EA is suitable for compressors used in refrigerators, freezers, water coolers, de-humidifiers, vending machines and similar refrigeration applications. It plugs directly onto the compressor terminal pins, and is frequently used with the 4TM plug-on motor protector.



Features

- Solid-state PTC motor starter
- Designed for use with most split phase, capacitor run and/or start, fractional h.p. hermetic compressors
- Available for all single phase voltage applications
- Low power dissipation
- Easy installation
- Electrically (EMI) noise free
- Operating noise free
- Approved for use with explosive proof applications
- High reliability with no moving parts

Technical Features

- Utilizes PTC pill materials to energize / de-energize motor start windings
- Provides inherent start winding protection
- Optimal packaging approach improves efficiency
- Used in 120V or 240V applications
- Provides lowest power consumption in industry
- Wide spectrum of resistance ranges available

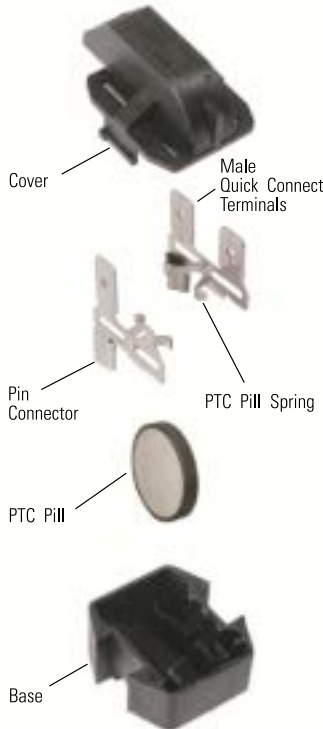
Quality and Performance

- PTC pills 100% electrically tested twice
- High reliability with no moving parts
- 500K cycles min. at max. rated condition
- Dissipates less than 2 watts under normal operating conditions

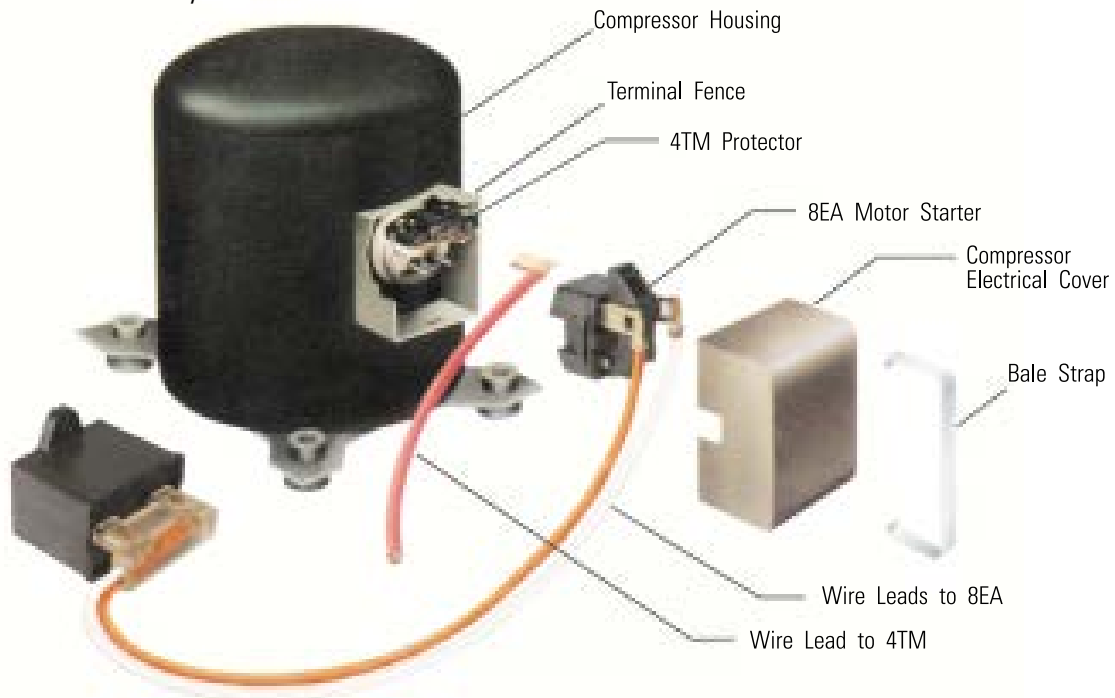
Convenience

- Fits within most existing terminal fences
- Highly legible part coding
- One rating will potentially service entire compressor voltage series
- Mounts directly to the compressor terminal pins
- Compatible with world class 4TM motor protection

Exploded View



Electrical Component Assembly Process



Assembly Process Description

The illustration above depicts the assembly of the 8EA onto the compressor. The 4TM motor protector is plugged onto the common pin. The 8EA plugs onto the remaining 2 pins. Female flag connectors are connected, and the electrical cover encloses the entire assembly.

PTC Performance

When power is first applied to the compressor via the 8EA, the PTC pill is in low resistance state. Current flows through the PTC pill to the start windings, causing a beneficial phase angle shift between start and main windings, and resulting in an increase in the starting torque.

Common Electrical Rating

8EA Series	Application Voltage	V _{max} 'max	Nominal Resistance (Ohms)	Heat Capacity MCP
14CX	120	180 / 12	4.7±20%	1.40
15CX	120	200 / 12	6.8±20%	1.40
16CX	120	200 / 10	10 ±20%	1.40
17CX	240	300 / 7	22 ±20%	1.40
18CX	240	355 / 6	33 ±20%	1.40
19CX	240	300 / 8	15±-20%	1.40
20CX	240	400 / 5	47 ±20%	1.40

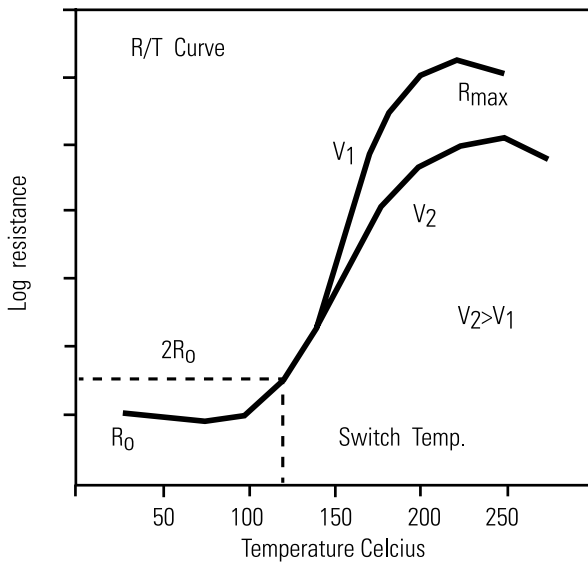
For other ratings contact Sensata.

8EA PTC Motor Starter Design Chart

	Independent Variable		Device Property			
			Switch Time	Power	Max. Voltage	Cool Rate
PTCR	Resistance	↑	↓	↓	↑	↓
	Mass	↓	↓	↓	↓	↓
	Switch Temp.	↓	↓	↓	—	↑

General trends are shown for changes in the PTCR element specifications and the corresponding 8EA device properties.

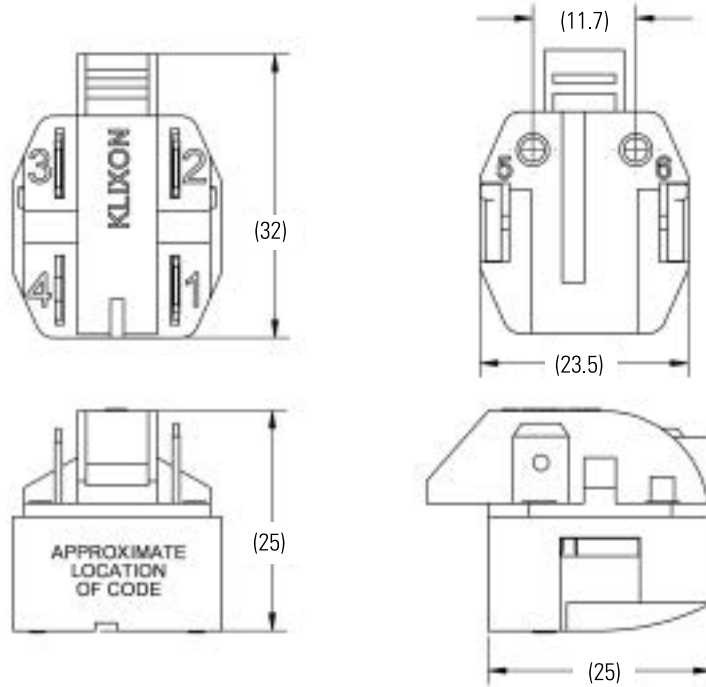
Curves



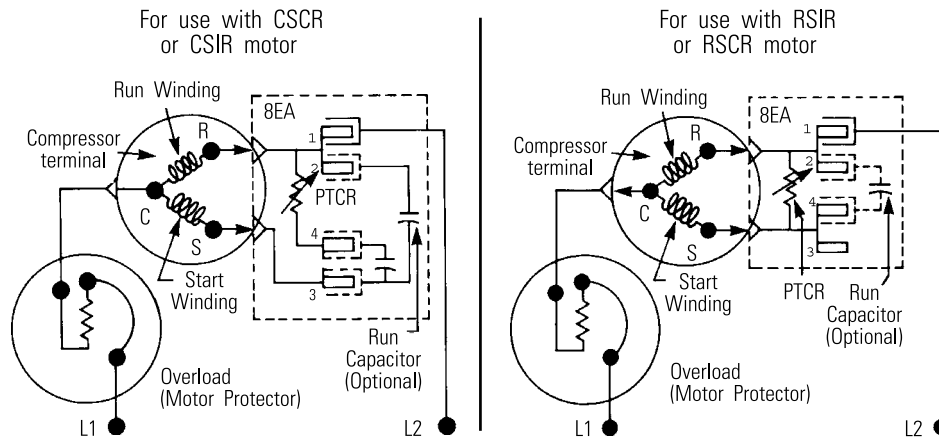


DIMENSIONS AND DIAGRAMS

Dimensions in mm



Wiring Diagrams



Terminal Configurations

Device	Terminal Numbers			
	1	2	3	4
8EAXXC1	—	M	—	—
8EAXXC2	M	M	—	—
8EAXXC3	M	M	M	—
8EAXXC4	M	M	M	M
8EAXXC5	—	M	M	—

M = 1/4" Male Quick Connect Terminal
For other configurations contact Sensata



APPLICATION PROCEDURE

Step 1: Assemble Data Required for New Applications

	Example
R₀ Resistance	5.0 Ohms
Max. Volt (V_{max})	162 VAC
Max Current (In Rush)	8 Amp
Switch Time of Motor	> 0.5 Sec @ 8 Amp Ambient 25oC

	Example
Motor Type	RSCR
Reset Time	< 80 Sec @ Nom. Volt Ambient 25°C
Test Requirements	<ul style="list-style-type: none"> • 250K Cycles @ Max. Operational Conditions • 300 Hrs. @ Max. Volt +10%

Step 2: Select PTC pill based on resistance and maximum operating conditions.

(See electrical rating on previous page).

Step 3: Select 8EA physical configuration based on motor type.

(See terminal configurations on previous page).

Step 4: Switch Time Calculation

The amount of time required for PTC to switch into its high resistance state can be approximated as follows:

Equation	
Time	$\frac{M^{\circ}P (T_s - T_A)}{I^2 R}$
M[°]C_P	Heat Capacity (Watt-Sec/°C)
T_S	Switch Temperature (°C)
T_A	Ambient Temperature (°C)
I	Inrush Current (Amps-Rms)
R	Initial Device Resistance Under Voltage (Use R ₀ x 0.8)

Example	
R	5.0 Ohms (R=5x.8=4)
I	8 Amps
T_S	120°C
T_A	25°C
M[°]C_P	1.60
Time (Sec)	$\frac{1.60 (95)}{(8^2) (4)}$
Switch Time	0.59 Sec.

Theoretical Calculated PTC Switch Time
Should Be Time Required to Start Motor

Glossary

R_0	Measured resistance value at 25 °C Max. voltage of 2.0 volts.
Cooldown Time	Time required for the PTC resistance to return to two times the initial value ($2R_0$)
Curie Point (Switch Temp.)	Temperature obtained with a resistance value of two times ($2R_0$) the minimum resistance value (R_0)
V_{MAX}	Maximum operating voltage which may be applied across the PTC continuously at the ambient temperature specified and in a steady high resistance state.

V_R	Application rated supplied voltage/ 120 or 240 VAC (below V_{max})
I_{SS}	Steady state current remaining at maximum operating voltage.
I_{MAX}	Maximum operating current.

Application Notes

1. The surface and terminals of the 8EA device can reach high temperatures under normal running conditions. Any material in contact with the 8EA and its terminals, including wire and quick-connect receptacle plastic insulation, should have a minimum temperature rating (RTI) of 105°C. Adequate spacing should be provided to insulate lower-rated materials from this heat source.
2. The 8EA device should be protected from potential sources of liquid, such as the evaporator tray and water connections.
3. Certain materials, such as chlorine (Cl) containing gases, can degrade the characteristics of the 8EA device. The 8EA device should not be exposed to sulfur (S) or chlorine (Cl) containing gases, and must be kept away from materials that can generate them. In particular, avoid the use of polyvinyl chloride (PVC) insulation in contact with the 8EA terminals.
4. The 8EA device is designed to be used in conjunction with an electrical cover.

Important Notice:

Sensata Technologies reserves the right to make changes to, or to discontinue, any product or service identified in this publication without notice. Before placing orders, users should obtain the latest version of the relevant information to verify that the information being relied upon is current. S

Sensata Technologies assumes no responsibility for customers' product designs or applications. Users must determine the suitability of the Sensata device described in this publication for their application, including the level of reliability required. Many factors beyond Sensata's control can affect the use and performance of a Sensata product in a particular application, including the conditions under which the product is used and the time and environmental conditions in which the product is expected to perform. As these factors are uniquely within the user's knowledge and control, it is essential that the user evaluate the Sensata product to determine whether it is fit for a particular purpose and suitable for the user's application.

Sensata Technologies products are sold subject to Sensata's Terms and Conditions of Sale which can be found at www.sensata.com/terms.htm



ORDERING OPTION

Example : 8EA XXXXXX - XX

Sensata Product Number 8EA XXXXX - XX

Element: Description

Element: Description



AGENCY APPROVALS & CERTIFICATIONS



UL / CUL	File SA3745
IEC	US/4312/UL
Demko	129508-1
CCEE	CH003840-99
ENEC	2018218.01

Sensata Technologies, Inc. ("Sensata") data sheets are solely intended to assist designers ("Buyers") who are developing systems that incorporate Sensata products (also referred to herein as "components"). Buyer understands and agrees that Buyer remains responsible for using its independent analysis, evaluation and judgment in designing Buyer's systems and products. Sensata data sheets have been created using standard laboratory conditions and engineering practices. Sensata has not conducted any testing other than that specifically described in the published documentation for a particular data sheet. Sensata may make corrections, enhancements, improvements and other changes to its data sheets or components without notice.

Buyers are authorized to use Sensata data sheets with the Sensata component(s) identified in each particular data sheet. HOWEVER, NO OTHER LICENSE, EXPRESS OR IMPLIED, BY ESTOPPEL OR OTHERWISE TO ANY OTHER SENSATA INTELLECTUAL PROPERTY RIGHT, AND NO LICENSE TO ANY THIRD PARTY TECHNOLOGY OR INTELLECTUAL PROPERTY RIGHT, IS GRANTED HEREIN. SENSATA DATA SHEETS ARE PROVIDED "AS IS". SENSATA MAKES NO WARRANTIES OR REPRESENTATIONS WITH REGARD TO THE DATA SHEETS OR USE OF THE DATA SHEETS, EXPRESS, IMPLIED OR STATUTORY, INCLUDING ACCURACY OR COMPLETENESS. SENSATA DISCLAIMS ANY WARRANTY OF TITLE AND ANY IMPLIED WARRANTIES OF MERCHANTABILITY, FITNESS FOR A PARTICULAR PURPOSE, QUIET ENJOYMENT, QUIET POSSESSION, AND NON-INFRINGEMENT OF ANY THIRD PARTY INTELLECTUAL PROPERTY RIGHTS WITH REGARD TO SENSATA DATA SHEETS OR USE THEREOF.

All products are sold subject to Sensata's terms and conditions of sale supplied at www.sensata.com SENSATA ASSUMES NO LIABILITY FOR APPLICATIONS ASSISTANCE OR THE DESIGN OF BUYERS' PRODUCTS. BUYER ACKNOWLEDGES AND AGREES THAT IT IS SOLELY RESPONSIBLE FOR COMPLIANCE WITH ALL LEGAL, REGULATORY AND SAFETY-RELATED REQUIREMENTS CONCERNING ITS PRODUCTS, AND ANY USE OF SENSATA COMPONENTS IN ITS APPLICATIONS, NOTWITHSTANDING ANY APPLICATIONS-RELATED INFORMATION OR SUPPORT THAT MAY BE PROVIDED BY SENSATA.

Mailing Address: Sensata Technologies, Inc., 529 Pleasant Street, Attleboro, MA 02703, USA.

CONTACT US

Americas

+1 (508) 236-2551
electrical-protection-sales@
sensata.com

Europe, Middle East & Africa

+3 174 357 8156
info-sse@list.sensata.com

Asia Pacific

EP_Asia_Public@list.sensata.
com

China +86 (21)2306 1651

India +91 (40)4033 9611

Japan +81 (45)277 7104

Korea +82 (53) 644 9685

Rest of Asia +65(6478)6860