

4

3

2

1

D

D

C

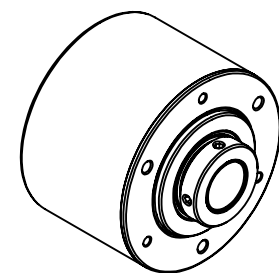
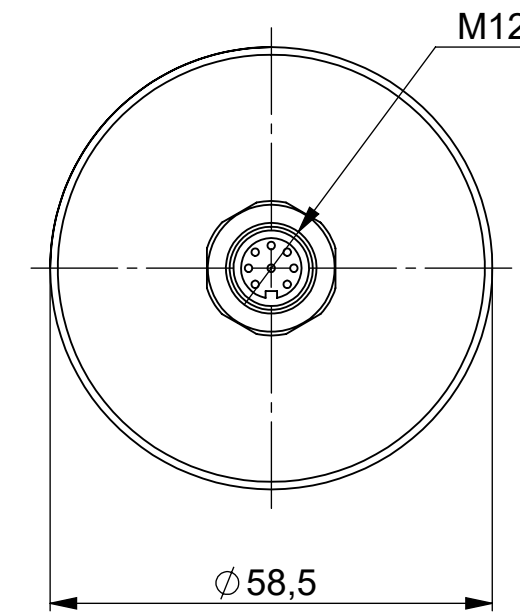
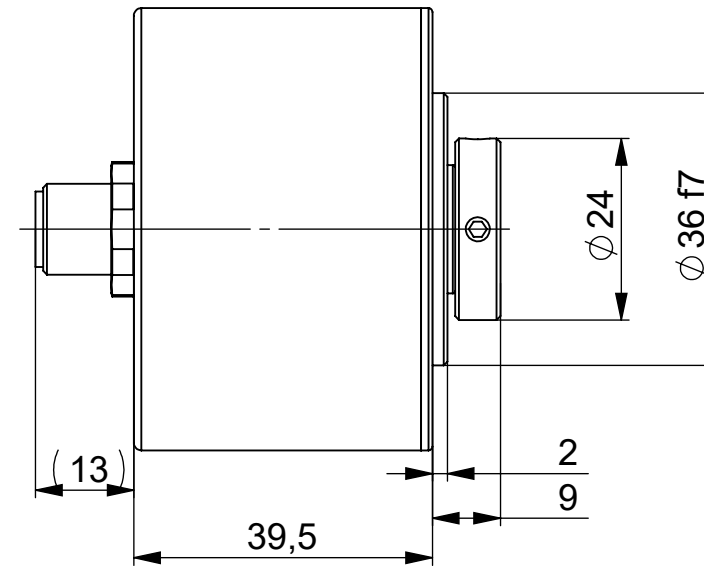
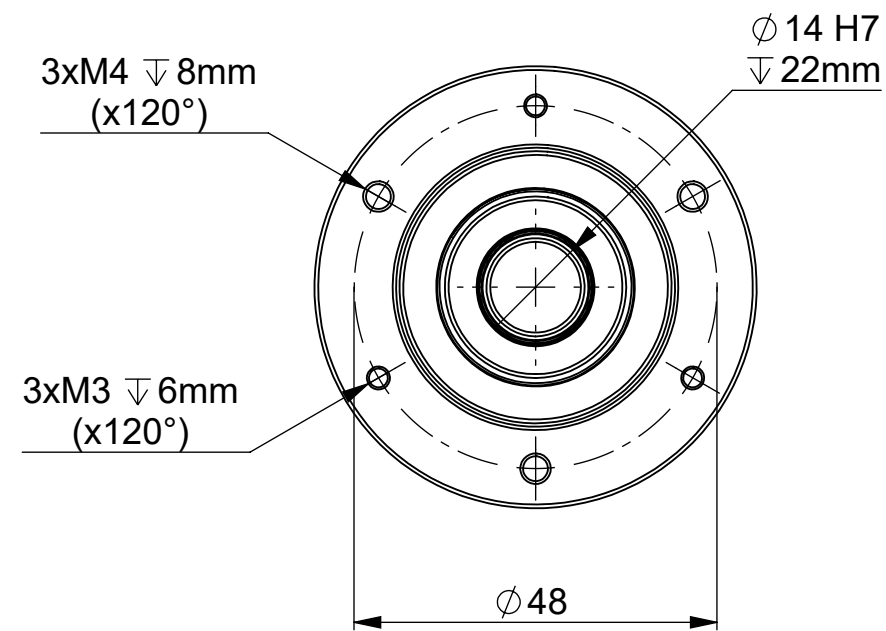
C

B

B

A

A



UNCONTROLLED COPY

FIRST ISSUE DATE : 21/10/2021  
 DRAWN : RHM  
 APPROVED : JHH  
 DATE : 21/10/2021

SENSATA TECHNOLOGIES PROPRIETARY AND CONFIDENTIAL. NEITHER THIS PRINT NOR THE INFORMATION CONTAINED HEREON IS TO BE USED AGAINST THE INTERESTS OF SENSATA TECHNOLOGIES OR AGAINST THE INTERESTS OF ANY OF ITS AFFILIATED COMPANIES OR WHOLLY OWNED SUBSIDIARIES.



BEI SENSORS SAS  
 Espace Européen de l'Entreprise  
 9, rue de Copenhague  
 BP 70044 - F 67013 STRASBOURG Cedex  
 Tel : +33 (0)3 88 20 81 40

BEI Sensors

ECN :

UNLESS OTHERWISE SPECIFIED DIMENSIONS ARE IN MILLIMETERS [INCHES] AND ARE INTENDED AS NOMINAL. SEE PRODUCT SPECIFICATION FOR MORE DETAILS.

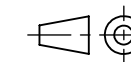
TITLE AHK514\_M12 Connector Output\_Axial

DATE : 21/10/2021

Housing material : Aluminum  
 Flange material : Aluminum  
 Shaft material : Stainless Steel

DO NOT SCALE DRAWING

EUROPEAN SYSTEM



SIZE A3 DWG NO. M162 REV. A

SCALE 1/1 SOLIDWORKS SHEET 1 OF 1

4

3

2

1

DEVICE:

PROJECT: