

| STEERING CONTROL WHEEL (TILLER)

Description

Kavlico's Steering Control Wheel (Tiller) provides all the necessary elements for control, while providing signal indication via an internal RVDT. Our SHW unit meets the small envelope, minimum weight, and high reliability demanded by the aerospace industry. The design of the SHW unit contains many features common to Kavlico's overall line of pilot control products, whose reliability and durability have been verified through extensive qualification testing.



Operation of the steering handwheel downwardly actuates a single pole, double throw switch signaling that the handwheel is activated. A combination of this signal & the RVDT output is used to steer the nose landing gear left or right, during take off, landing and taxi.

Extensive use of lightweight non-metallic materials for the handle, cover, and body are used to keep the overall weight of the unit to a minimum.

Viscous damping is used in the design to control the rate of return of free handle to prevent any abrupt motion of the nose wheel on the ground.

An ergonomic, easy-to-use segment wheel has been installed per FAA 25 regulations. Both the RVDT and micro-switches receive power through a MIL-DTL-38999 connector.

The combination of fixed internal drive gear connected to an anti-backlash gear on the RVDT provides a high accuracy signal proportional to lever travel.

Features

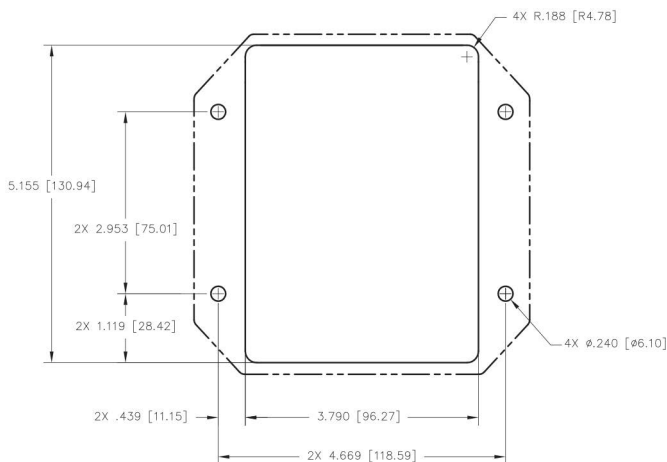
- Contains Kavlico designed & manufactured RVDT (number of channels specified by customer)
- Smooth return to center damper (rate is specified by customer)
- Design meets FAR Part 25 and RTCA/DO-160
- 25,000 flight hours MTBF
- Simple 4-screw mount permits rapid line replacement
- Painted to customer specification

| | |
|--|---|
| Typical Operating Force (Turning) (Adjustable to Customer Need) | 2.3 to 6.7 lbs. (10 to 30N) |
| Mechanical Travel | ±80 degrees |
| Wheel | Lightweight Semi-gloss black 27038 per Fed-Std 595 |
| Activation Switch | Gold plated, sealed |
| Electrical Receptacle | MIL-DTL-D38999 Connectors/20FB35PN |
| Color Scheme (Customer Specified) | Cover and housing Fed-Std 595, color 36231 (lusterless gray) |
| Weight | 2.41bs (1.1 Kg.) Max. |

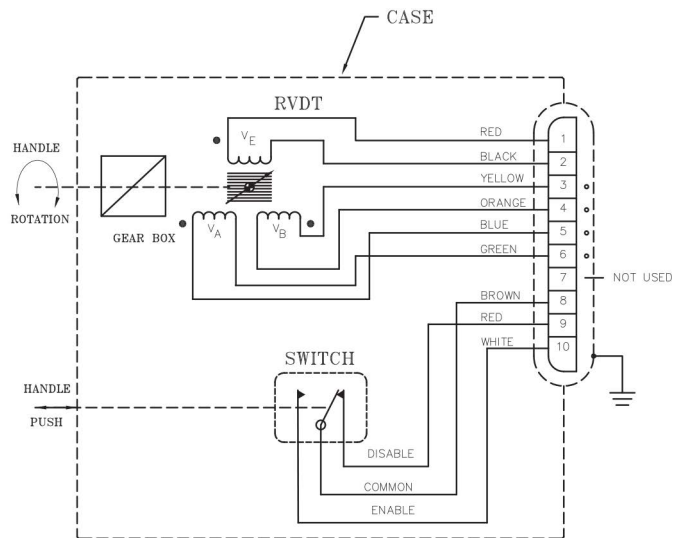

DIMENSIONS

Dimensions in mm [Inch]

Mounting Cut Out Dimensions



Electrical Schematic



Revised 2/16/18

Sensata Technologies, Inc. ("Sensata") data sheets are solely intended to assist designers ("Buyers") who are developing systems that incorporate Sensata products (also referred to herein as "components"). Buyer understands and agrees that Buyer remains responsible for using its independent analysis, evaluation and judgment in designing Buyer's systems and products. Sensata data sheets have been created using standard laboratory conditions and engineering practices. Sensata has not conducted any testing other than that specifically described in the published documentation for a particular data sheet. Sensata may make corrections, enhancements, improvements and other changes to its data sheets or components without notice.

Buyers are authorized to use Sensata data sheets with the Sensata component(s) identified in each particular data sheet. HOWEVER, NO OTHER LICENSE, EXPRESS OR IMPLIED, BY ESTOPPEL OR OTHERWISE TO ANY OTHER SENSATA INTELLECTUAL PROPERTY RIGHT, AND NO LICENSE TO ANY THIRD PARTY TECHNOLOGY OR INTELLECTUAL PROPERTY RIGHT, IS GRANTED HEREIN. SENSATA DATA SHEETS ARE PROVIDED "AS IS". SENSATA MAKES NO WARRANTIES OR REPRESENTATIONS WITH REGARD TO THE DATA SHEETS OR USE OF THE DATA SHEETS, EXPRESS, IMPLIED OR STATUTORY, INCLUDING ACCURACY OR COMPLETENESS. SENSATA DISCLAIMS ANY WARRANTY OF TITLE AND ANY IMPLIED WARRANTIES OF MERCHANTABILITY, FITNESS FOR A PARTICULAR PURPOSE, QUIET ENJOYMENT, QUIET POSSESSION, AND NON-INFRINGEMENT OF ANY THIRD PARTY INTELLECTUAL PROPERTY RIGHTS WITH REGARD TO SENSATA DATA SHEETS OR USE THEREOF.

All products are sold subject to Sensata's terms and conditions of sale supplied at www.sensata.com SENSATA ASSUMES NO LIABILITY FOR APPLICATIONS ASSISTANCE OR THE DESIGN OF BUYERS' PRODUCTS. BUYER ACKNOWLEDGES AND AGREES THAT IT IS SOLELY RESPONSIBLE FOR COMPLIANCE WITH ALL LEGAL, REGULATORY AND SAFETY-RELATED REQUIREMENTS CONCERNING ITS PRODUCTS, AND ANY USE OF SENSATA COMPONENTS IN ITS APPLICATIONS, NOTWITHSTANDING ANY APPLICATIONS-RELATED INFORMATION OR SUPPORT THAT MAY BE PROVIDED BY SENSATA.

Mailing Address: Sensata Technologies, Inc., 529 Pleasant Street, Attleboro, MA 02703, USA.

CONTACT US

Americas

+1 (805) 716-0322

info.kavlico@sensata.com