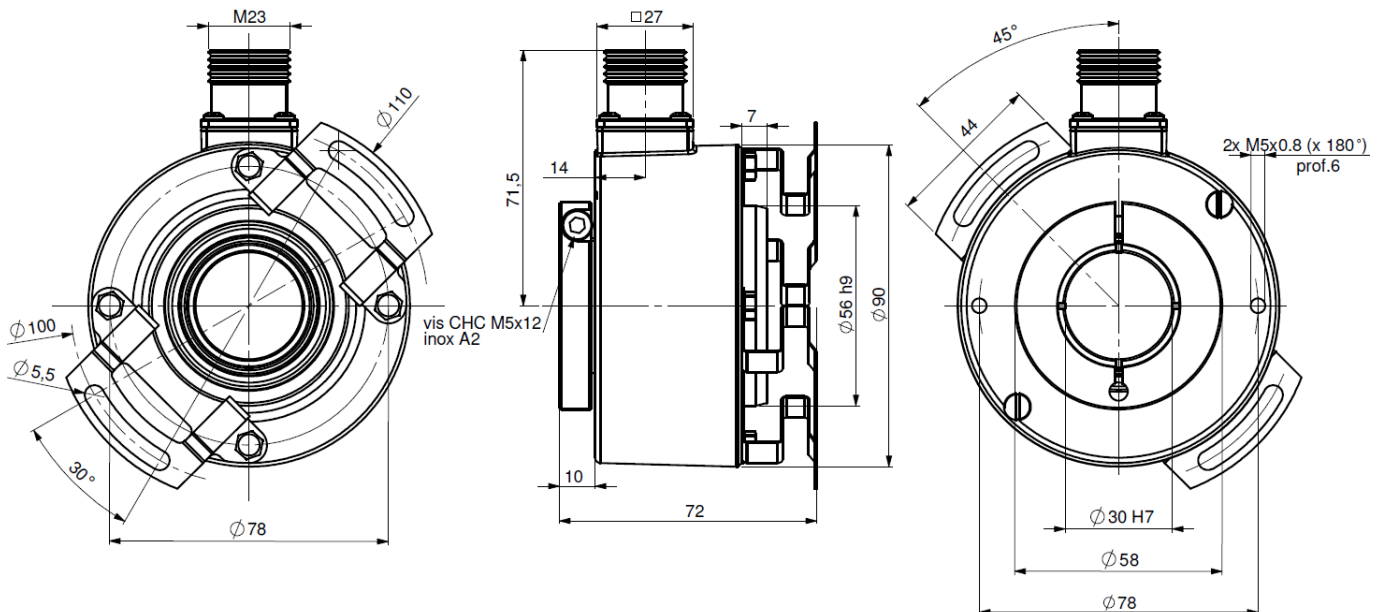


## OPTOTACHYS, SERIE NHU9

- Codeur 90mm de conception compacte et robuste,
- Axe traversant de 30mm, adaptation par bagues de réduction en composite - isolation électrique et thermique (aluminium en option),
- Alimentation : 4,5 à 5,5Vdc ou 11 à 30Vdc,
- Sortie analogique proportionnelle à la vitesse,
- Calibration usine possible entre 1 et 6000 tr/min,
- Son raccordement s'effectue par connecteur industriel M23, câble blindé ou boîte à bornes,
- Possibilité de montage double ou triple en associant des fonctions incrémentale, absolue ou tachymétrique.



### DIMENSIONS NHU9\_30 CONNECTIQUE V6R (M23 RADIAL) – SYSTEME DAC 9445/009 MONTE SUR EMBASE\*



\*Accessoire à commander séparément

### CARACTERISTIQUES MECANIQUES

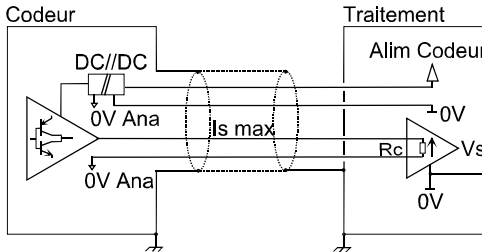
|                            |   |  |   |
|----------------------------|---|--|---|
| Matériau<br>Inox en option | Capot : zamac                           | Vibration (EN60068-2-6)  | ≤ 200 m.s <sup>-2</sup> (10 ... 1 000 Hz) |
|                            | Embase : aluminium                      |  | CEM                                       |
| Axe                        | Inox                                    | Tension d'isolement  | 1 000 Veff                                |
| Roulements                 | Série 6807                              | Masse codeur (env.)  | 0,700kg capot zamac, embase alu           |
| Charges maximales          | Axial : 50 N                            |  | 1,000kg capot zamac, embase inox          |
|                            | Radial : 80 N                           |  | 1,150kg capot inox, embase inox           |
| Moment d'inertie de l'axe  | ≤ 55.10 <sup>-6</sup> kg.m <sup>2</sup> | Température d'utilisation  | - 20 ... + 80 °C (T° codeur)              |
| Couple                     | ≤ 25.10 <sup>-3</sup> N.m               | Température de stockage  | - 40 ... + 80 °C                          |
| Vitesse max. en pointe     | 6 000 min <sup>-1</sup>                 | Degré de Protection(EN 60529)  | IP 65                                     |
| Vitesse max. en continu    | 3 600 min <sup>-1</sup>                 | Couple (vis du collier de l'axe)   | nominal: 3N.m, rupture: 4N.m              |
| Joint d'axe                | Viton                                   | Durée de vie mécanique théorique 10 <sup>9</sup> tours (F <sub>axial</sub> / F <sub>radial</sub> ) |   |
| Tenue chocs (EN60068-2-27) | ≤ 2 000 m.s <sup>-2</sup> (durant 6 ms) | 25 N / 40 N : 140  | 50 N / 80 N : 17                          |

## OPTOTACHYS, SERIE NHU9

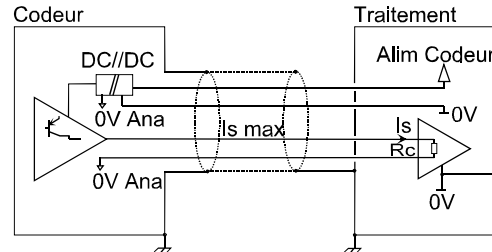
### ETAGE DE SORTIE ANALOGIQUE / ALIMENTATION

2VM : alimentation 5 Vdc – driver 0...10 Vdc  
5VM : alimentation 11-30 Vdc – driver 0...10 Vdc  
2VP : alimentation 5 Vdc – driver - 10 Vdc ... + 10 Vdc  
5VP : alimentation 11-30 Vdc – driver - 10 Vdc ... + 10 Vdc

2V1 : alimentation 5 Vdc – driver 0...20 mA  
2V2 : alimentation 5 Vdc – driver 4...20 mA  
2V3 : alimentation 5 Vdc – driver -20 mA ... + 20 mA  
5V1 : alimentation 11-30 Vdc – driver 0...20 mA  
5V2 : alimentation 11-30 Vdc – driver 4...20 mA  
5V3 : alimentation 11-30 Vdc – driver -20 mA ... + 20 mA



|                  |         |
|------------------|---------|
| Rc min           | 1 kOhms |
| Rc max           | /       |
| Charge cap. Max. | 470nF   |



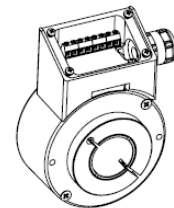
|        |          |
|--------|----------|
| Rc min | 0 Ohms   |
| Rc max | 500 Ohms |

Les deux versions, sortie courant et tension sont protégées contre les courts-circuits et les surtensions provisoires sur l'alimentation.  
Les versions 11-30Vdc sont également protégées contre les inversions de polarité de l'alimentation  
Les produits sont équipés d'une isolation galvanique totale (1 kV) entre l'étage analogique et le reste de l'électronique.  
Consommation à vide : 150mA.

### CONNECTIQUES – M23 ET SORTIE CÂBLE

|    |                         | -        | +       | 0V ana           | Sortie ana      | Masse             |
|----|-------------------------|----------|---------|------------------|-----------------|-------------------|
| V6 | 12 broches sens horaire | 1        | 2       | 9                | 10              | Embase connecteur |
| V3 | Câble PUR               | WH blanc | BN brun | WH-GN blanc-vert | BN-GN brun-vert | Blindage général  |

### BOITE A BORNES EGALEMENT DISPONIBLE



Note : ne pas raccorder les autres broches / fils

### REFERENCE DE COMMANDE (Exécution spécifique sur demande, ex: relais survitesse, bride/électronique/connectique spécifique...)

|   | Ø axe                                      | Electronique disponible                            |   | Vitesse  | Connectique                     | Orientation connectique                      |
|---|--|--|---|--|---------------------------------|--|
| <b>NHU9</b><br>Capot : zamac<br>Embase : alu  | 30 : 30mm                                  | 5V1, 5V2, 5V3, 5VM, 5VP<br>2V1, 2V2, 2V3, 2VM, 2VP |   | Exemple:<br><b>U05</b> : 5tr/min<br><b>D10</b> : 10tr/min<br><b>C20</b> : 200tr/min<br><b>M30</b> : 3000tr/min<br><br>Vitesse paramétrée usine, calibration possible de 1 à 6000 tours / min | <b>V3</b> : câble PUR           | Exemple:<br><b>R020</b> :radiale<br>câble 2m |
|   |  | Alim   | Etage de sortie   |  |                                 |  |
| <b>NBU9</b><br>Capot : zamac<br>Embase : inox | Bague de réduction disponible de 10 à 28mm | 2: 5Vdc +/- 10%                                    | <b>V1</b> : 0 ... 20 mA<br><b>V2</b> : 4 ... 20 mA<br><b>V3</b> : -20 mA ...+20mA |  | <b>V6</b> : M23 12 pins horaire | <b>R</b> : radiale                           |
| <b>NXU9</b><br>Capot : inox<br>Embase : inox  |  | 5 : 11 à 30Vdc                                     | <b>VM</b> : 0 ... 10Vdc<br><b>VP</b> : -10V ... +10Vdc                            |  | <b>VT</b> : boîte à bornes      |  |
| Ex: NHU9                                      | - 30 //                                    | 5  | V2 //   | M15 //   | V3                              | R050   |

Fabriqué en FRANCE

---

Datasheets provided by Sensata Technologies, Inc., its subsidiaries and/or affiliates (“Sensata”) are solely intended to assist third parties (“Buyers”) who are developing systems that incorporate Sensata products (also referred to herein as “components”). Buyer understands and agrees that Buyer remains responsible for using its independent analysis, valuation, and judgment in designing Buyer’s systems and products. Sensata datasheets have been created using standard laboratory conditions and engineering practices. Sensata has not conducted any testing other than that specifically described in the published documentation for a particular datasheet. Sensata may make corrections, enhancements, improvements, and other changes to its datasheets or components without notice.

Buyers are authorized to use Sensata datasheets with the Sensata component(s) identified in each particular datasheet. HOWEVER, NO OTHER LICENSE, EXPRESS OR IMPLIED, BY ESTOPPEL OR OTHERWISE TO ANY OTHER SENSATA INTELLECTUAL PROPERTY RIGHT, AND NO LICENSE TO ANY THIRD PARTY TECHNOLOGY OR INTELLECTUAL PROPERTY RIGHT, IS GRANTED HEREIN. SENSATA DATASHEETS ARE PROVIDED “AS IS”. SENSATA MAKES NO WARRANTIES OR REPRESENTATIONS WITH REGARD TO THE DATASHEETS OR USE OF THE DATASHEETS, EXPRESS, IMPLIED, OR STATUTORY, INCLUDING ACCURACY OR COMPLETENESS. SENSATA DISCLAIMS ANY WARRANTY OF TITLE AND ANY IMPLIED WARRANTIES OF MERCHANTABILITY, FITNESS FOR A PARTICULAR PURPOSE, QUIET ENJOYMENT, QUIET POSSESSION, AND NON-INFRINGEMENT OF ANY THIRD PARTY INTELLECTUAL PROPERTY RIGHTS WITH REGARD TO SENSATA DATASHEETS OR USE THEREOF.

All products are sold subject to Sensata’s terms and conditions of sale supplied at [www.sensata.com](http://www.sensata.com). SENSATA ASSUMES NO LIABILITY FOR APPLICATIONS ASSISTANCE OR THE DESIGN OF BUYERS’ PRODUCTS. BUYER ACKNOWLEDGES AND AGREES THAT IT IS SOLELY RESPONSIBLE FOR COMPLIANCE WITH ALL LEGAL, REGULATORY, AND SAFETY-RELATED REQUIREMENTS CONCERNING ITS PRODUCTS, AND ANY USE OF SENSATA COMPONENTS IN ITS APPLICATIONS, NOTWITHSTANDING ANY APPLICATIONS-RELATED INFORMATION OR SUPPORT THAT MAY BE PROVIDED BY SENSATA.

Mailing Address: Sensata Technologies, Inc., 529 Pleasant Street, Attleboro, MA 02703, USA

## CONTACT US

### Regional head offices:

#### United States of America

Sensata Technologies

Attleboro, MA

**Phone:** 508-236-3800

**E-mail:** [support@sensata.com](mailto:support@sensata.com)

#### Netherlands

Sensata Technologies Holland B.V.

Hengelo

**Phone:** +31 74 357 8000

**E-mail:** [support@sensata.com](mailto:support@sensata.com)

#### China

Sensata Technologies China Co., Ltd.

Shanghai

**Phone:** +8621 2306 1500

**E-mail:** [support@sensata.com](mailto:support@sensata.com)

Copyright © 2023 Sensata Technologies, Inc.