

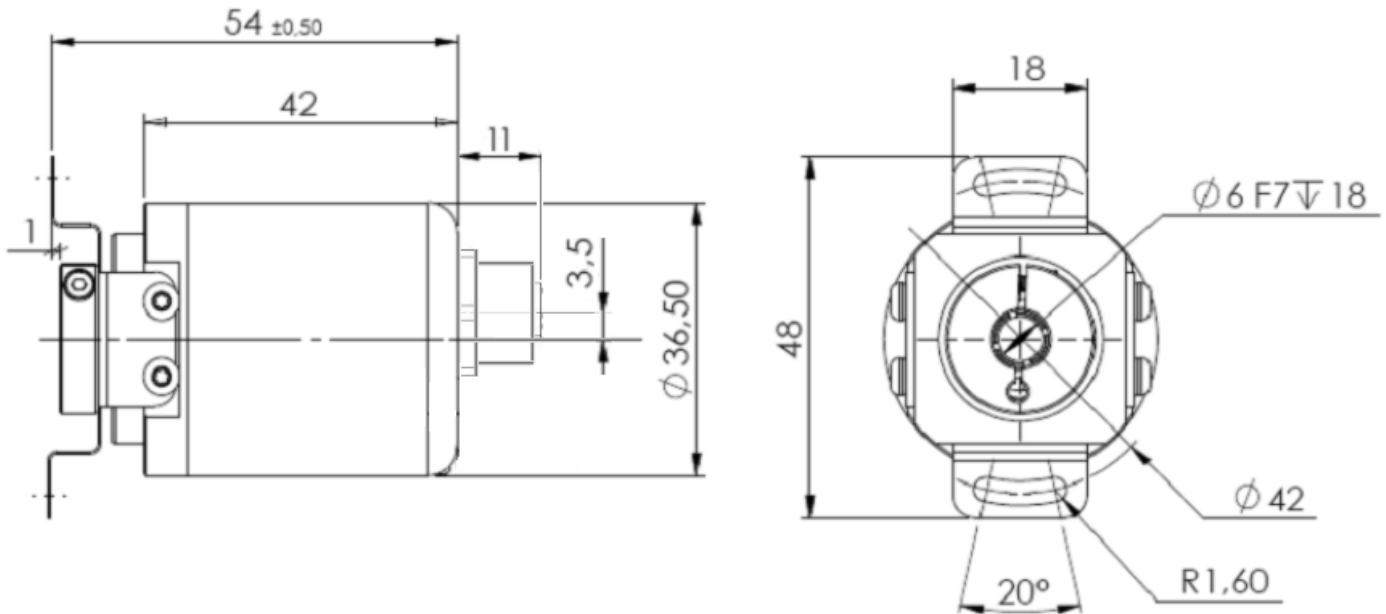
## MAGNETIC ENCODERS - SSIR ABSOLUTE MULTI TURN - THK4 RANGE

THK4 is a Ø36mm multiturn encoder with SSI interface :

- Compact and robust design.
- Blind shaft Ø 6 mm version.
- Precision sealed bearings.
- High temperature performance -30°C to 70°C.
- Hall effect technology.
- Multiturn encoding based on magnetic pulse counter. No batteries used.
- SSI interface, GRAY code.
- 12 bits resolution = 4096 steps / turn (max 14 bits).
- Number of turns : 13 bits = 8192 turns.
- Polarity inversions and surges protections.
- High integration SMD technology.



### THK4 M12 AXIAL DIMENSIONS



Recommended minimum shaft length (inserted in the blind shaft) : 8mm.  
Maximum shaft length (inserted in the blind shaft) : 18mm.

### MECHANICAL CHARACTERISTICS

Material	Cover : nickel-plated steel	Shocks (EN 60068-2-27)	≤ 100 g (demi sinus, 6 ms)
	Body : aluminium	Shocks (EN 60028-2-29)	≤ 10 g (demi-sinus, 16ms)
	Blind shaft: stainless steel	Vibrations (EN 60068-2-6)	≤ 10 g (10Hz... 1 000Hz)
Maximum loads	Axial : 40 N	Weight (approx.)	150 g
	Radial : 110 N	Operating temperature	- 30 ... + 70°C
Shaft inertia	≤ 30 g.cm <sup>2</sup>	Storage temperature	- 30 ... + 70°C
Torque	≤ 3 N.cm	Relative humidity	98 % without condensation
Max. speed (continuous)	12 000 rpm	Protection grade	IP54

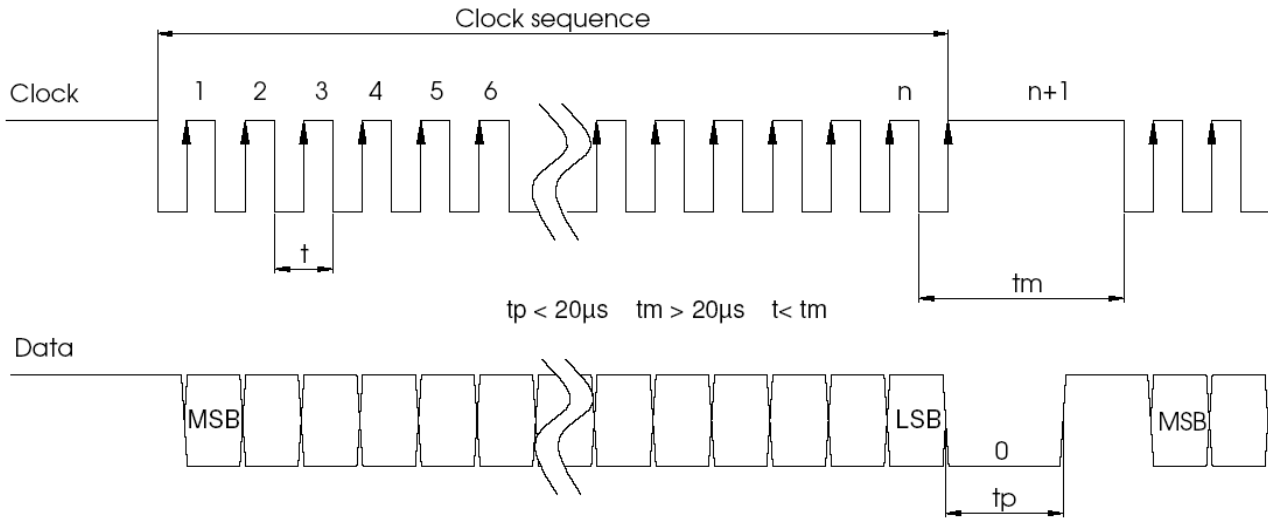
## MAGNETIC ENCODERS - SSIR ABSOLUTE MULTI TURN - THK4 RANGE



### ELECTRICAL CHARACTERISTICS

Single turn technology	Effet Hall, 2 axis	Accuracy	+/- 1,5°
Single turn resolution	Up to 14 bits	Supply	10 – 30Vdc
Multi turn technology	Auto-supplied, magnetic count	Cycle time	< 600 µs
Multi turn resolution	Up to 200 millions of turns	Introduction	< 1 s
Input signal clock CLK	Per optocoupler	Consumption	Max : 2W
Output signal DATA	line - driver RS422	Electrical life-time	> 10 <sup>5</sup> h
Clock frequency CLK	100kHz – 2MHz	EMC	EN 61000-6-4 EN 61000-6-2

### SSI COMMUNICATION



Driver	Data according to RS422 standard ; transmission up to 10 Mbits/s
Transmission	Up to 1 200m
Safety	Signals transmission
Cable	High security of transmission by using shielded cable and twisted pairs

### SSI CONNECTION

Reference	Type	+ Vcc	0 V	Clk+	Data+	RAZ	Data-	Clk-	Direction	Ground
SC	M12 8 pinouts	2	1	3	5	7	6	4	8	Connector body

### INPUTS

Count when encoder's shaft rotates clockwise, view from body (flange) side (input resistance 10kOhms)		Sent data reset (input resistance 10kOhms)	
0 (input = NC or GND)	Increasing count	0 (input = NC or GND)	Position
1 (input = +Ub or ≥ 10V)	Decreasing count	1 (input = +Ub or ≥ 10V)	Reset after 1 second

### ORDERING REFERENCE (specific manufacture on demand. ex: flange / specific connection...)

Ex : THK4_	06	//	5	SS	G	//	12B13D5	//	SCA
Absolute multi turn encoder	Blind shaft 6mm	Supply : 11 to 30Vdc	SSI without parity	Gray code	12B13D5 : 12 bits : resolution 13 bits : number of turns D5 25 bits SSI data	M12 8 pinouts axial output			

---

Datasheets provided by Sensata Technologies, Inc., its subsidiaries and/or affiliates (“Sensata”) are solely intended to assist third parties (“Buyers”) who are developing systems that incorporate Sensata products (also referred to herein as “components”). Buyer understands and agrees that Buyer remains responsible for using its independent analysis, valuation, and judgment in designing Buyer’s systems and products. Sensata datasheets have been created using standard laboratory conditions and engineering practices. Sensata has not conducted any testing other than that specifically described in the published documentation for a particular datasheet. Sensata may make corrections, enhancements, improvements, and other changes to its datasheets or components without notice.

Buyers are authorized to use Sensata datasheets with the Sensata component(s) identified in each particular datasheet. HOWEVER, NO OTHER LICENSE, EXPRESS OR IMPLIED, BY ESTOPPEL OR OTHERWISE TO ANY OTHER SENSATA INTELLECTUAL PROPERTY RIGHT, AND NO LICENSE TO ANY THIRD PARTY TECHNOLOGY OR INTELLECTUAL PROPERTY RIGHT, IS GRANTED HEREIN. SENSATA DATASHEETS ARE PROVIDED “AS IS”. SENSATA MAKES NO WARRANTIES OR REPRESENTATIONS WITH REGARD TO THE DATASHEETS OR USE OF THE DATASHEETS, EXPRESS, IMPLIED, OR STATUTORY, INCLUDING ACCURACY OR COMPLETENESS. SENSATA DISCLAIMS ANY WARRANTY OF TITLE AND ANY IMPLIED WARRANTIES OF MERCHANTABILITY, FITNESS FOR A PARTICULAR PURPOSE, QUIET ENJOYMENT, QUIET POSSESSION, AND NON-INFRINGEMENT OF ANY THIRD PARTY INTELLECTUAL PROPERTY RIGHTS WITH REGARD TO SENSATA DATASHEETS OR USE THEREOF.

All products are sold subject to Sensata’s terms and conditions of sale supplied at [www.sensata.com](http://www.sensata.com). SENSATA ASSUMES NO LIABILITY FOR APPLICATIONS ASSISTANCE OR THE DESIGN OF BUYERS’ PRODUCTS. BUYER ACKNOWLEDGES AND AGREES THAT IT IS SOLELY RESPONSIBLE FOR COMPLIANCE WITH ALL LEGAL, REGULATORY, AND SAFETY-RELATED REQUIREMENTS CONCERNING ITS PRODUCTS, AND ANY USE OF SENSATA COMPONENTS IN ITS APPLICATIONS, NOTWITHSTANDING ANY APPLICATIONS-RELATED INFORMATION OR SUPPORT THAT MAY BE PROVIDED BY SENSATA.

Mailing Address: Sensata Technologies, Inc., 529 Pleasant Street, Attleboro, MA 02703, USA

## CONTACT US

### Regional head offices:

#### United States of America

Sensata Technologies

Attleboro, MA

**Phone:** 508-236-3800

**E-mail:** [support@sensata.com](mailto:support@sensata.com)

#### Netherlands

Sensata Technologies Holland B.V.

Hengelo

**Phone:** +31 74 357 8000

**E-mail:** [support@sensata.com](mailto:support@sensata.com)

#### China

Sensata Technologies China Co., Ltd.

Shanghai

**Phone:** +8621 2306 1500

**E-mail:** [support@sensata.com](mailto:support@sensata.com)

Copyright © 2023 Sensata Technologies, Inc.