

ZONE	REV.	REVISION DESCRIPTION	ECN NO.	DATE
	B	REMOVED THE "KLIXON" LOGO AND PATENT INFORMATION; THE TOTAL HEIGHT "22.1 MAX" WAS "20.9 MAX"; JHC	ECO-207797	16-JAN-2108

NOTES:

1. USERS ARE SOLELY RESPONSIBLE FOR DESIGN, APPLICATION, AND FUNCTION OF THE END USE PRODUCT. USERS MUST EVALUATE THE SUITABILITY OF THESE DEVICES TO THEIR APPLICATION WITH RESPECT TO TEMPERATURE SETTINGS, MECHANICAL CYCLE LIFE, ELECTRICAL LOADING AND ENVIRONMENTAL CONDITIONS. THESE DEVICES ARE NOT INTENDED FOR USE IN APPLICATIONS WHERE EXPOSURE TO CONDENSED OR DRIPPING LIQUIDS, IMMERSION IN LIQUID, OR EXPOSURE TO OTHER ENVIRONMENTAL CONTAMINANTS MAY OCCUR
2. DIMENSIONS SHOWN ARE FOR REFERENCE ONLY
3. CONTACT ORIENTATION: OPEN ON TEMPERATURE RISE
4. CONTACT MATERIAL: SILVER
5. ACTUATION TYPE: AUTOMATIC RESET
6. CODING: STAMP CODE ON CUP

ELECTRICAL RATINGS

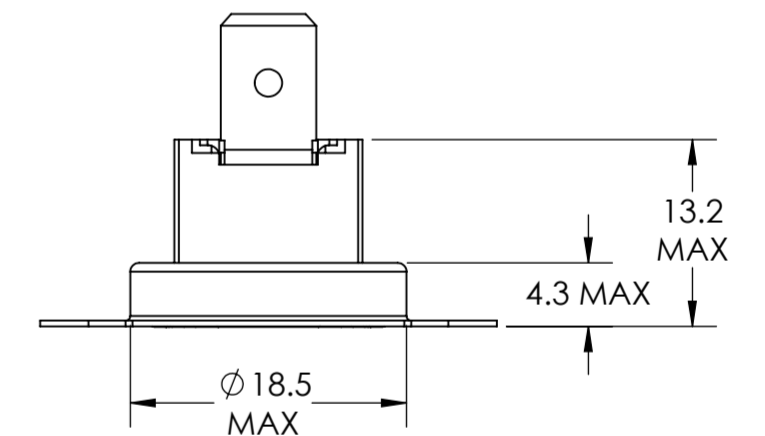
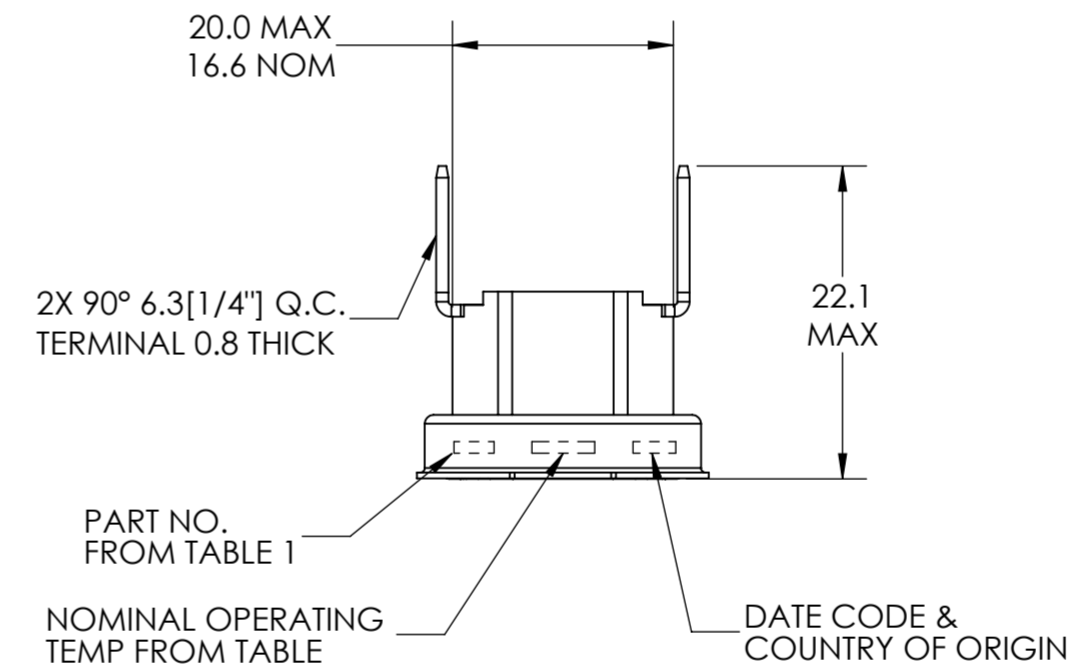
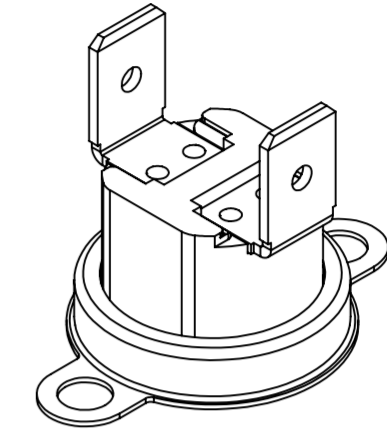
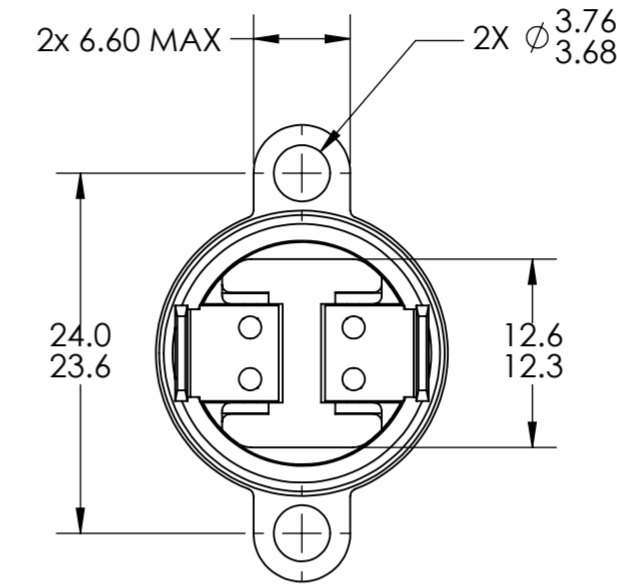
THE 1NT SERIES THERMOSTATS HAS BEEN RECOGNIZED BY SAFETY AGENCIES, INCLUDING UL, CANADIAN-UL AND KEMA. AGENCY RATINGS ARE PRESENTED BELOW AS A GENERAL GUIDE. HOWEVER, THE TEMPERATURE SETTINGS, MECHANICAL, ELECTRICAL, THERMAL, AND ENVIRONMENTAL CONDITIONS OF THE SPECIFIC APPLICATION MAY DIFFER SIGNIFICANTLY FROM AGENCY TEST CONDITIONS. THEREFORE, THE USER MUST NOT RELY SOLELY ON THE AGENCY RATINGS PRESENTED HERE, BUT MUST PERFORM ITS OWN TESTING OF THE PRODUCT TO CONFIRM THAT THE THERMOSTAT SELECTED WILL OPERATE AS INTENDED OVER THE USEFUL DESIGN LIFE OF THE USER'S APPLICATIONS.

AGENCY	TYPE	CYCLES	ELECTRICAL RATING*	
UL and C-UL	1NT01	100,000	120 VAC	0-9 AMPS 10-17 AMPS**
			240 VAC	0-5 AMPS 6-17 AMPS**
			277 VAC	7.2 AMPS
KEMA	1NT01	100,000	240 VAC	0-5 AMPS (1.66) AMPS 6-13.5 AMPS (1.66) AMPS**
		30,000	240 VAC	16 (5) AMPS
			400 VAC	4 (1) AMPS

* PARANTHESIS INDICATE INDUCTIVE LOAD RATINGS
 ** UL AND KEMA RATINGS AT THE SPECIFIC OPEN/CLOSE TEMPERATURES. WHEN APPLYING TO THESE ELECTRICAL LEVELS, NOMINAL OPEN/CLOSE TEMPERATURES MUST BE CONSIDERED TO DETERMINE IF THE THERMOSTAT SELECTED WILL OPERATE AS INTENDED IN THE USER'S APPLICATION. PLEASE CONSULT A SENSATA ENGINEER FOR ADDITIONAL CLARIFICATION

ACTUATION TEMPERATURES AND TOLERANCES

Part Number	°C		°F		°C		°F	
	NOMINAL TRIP TEMP.	TOLERANCE	NOMINAL TRIP TEMP.	TOLERANCE	NOMINAL RESET TEMP.	TOLERANCE	NOMINAL RESET TEMP.	TOLERANCE
1NT01L-7934	50.0	±3.0	122.0	±5.4	39.0	±4.0	102.2	±7.2
1NT01L-7935	55.0	±3.0	131.0	±5.4	44.0	±4.0	111.2	±7.2
1NT01L-7936	65.0	±3.0	149.0	±5.4	54.0	±4.0	129.2	±7.2
1NT01L-7937	70.0	±3.0	158.0	±5.4	59.0	±4.0	138.2	±7.2
1NT01L-7938	75.0	±3.0	167.0	±5.4	64.0	±4.0	147.2	±7.2
1NT01L-7939	80.0	±3.0	176.0	±5.4	69.0	±4.0	156.2	±7.2
1NT01L-7940	85.0	±3.0	185.0	±5.4	74.0	±4.0	165.2	±7.2
1NT01L-7941	90.0	±3.0	194.0	±5.4	79.0	±4.0	174.2	±7.2
1NT01L-7942	95.0	±3.5	203.0	±6.3	84.0	±4.5	183.2	±8.1
1NT01L-7943	100.0	±3.5	212.0	±6.3	89.0	±4.5	192.2	±8.1
1NT01L-7944	105.0	±3.5	221.0	±6.3	94.0	±4.5	201.2	±8.1
1NT01L-7945	110.0	±3.5	230.0	±6.3	99.0	±4.5	210.2	±8.1
1NT01L-7946	115.0	±3.5	239.0	±6.3	104.0	±4.5	219.2	±8.1
1NT01L-7947	120.0	±3.5	248.0	±6.3	109.0	±4.5	228.2	±8.1
1NT01L-7948	130.0	±4.0	266.0	±7.2	116.0	±5.5	240.8	±9.9
1NT01L-7949	140.0	±4.0	284.0	±7.2	126.0	±5.5	258.8	±9.9
1NT01L-7950	150.0	±5.0	302.0	±9.0	128.0	±9.0	262.4	±16.2
1NT01L-7951	160.0	±5.0	320.0	±9.0	138.0	±9.0	280.4	±16.2
1NT01L-7952	170.0	±5.0	338.0	±9.0	148.0	±9.0	298.4	±16.2
1NT01L-7953	180.0	±5.0	356.0	±9.0	158.0	±9.0	316.4	±16.2



FOR REFERENCE ONLY, CHECK LATEST REVISION BEFORE USE. PARTS MADE TO THIS PRINT MUST CONFORM TO E9898 REV. E.		529 PLEASANT STREET P.O. BOX 2964 ATTLEBORO, MA 02703	
DRAWN S. KONG DATE 19-APR-2017	ENGINEER B. CURRIER DATE 19-APR-2017	APPROVED D. MULLEN DATE 19-APR-2017	APPROVED R. RIVERA DATE 19-APR-2017
<small>SENSATA TECHNOLOGIES PROPRIETARY AND CONFIDENTIAL. NEITHER THIS PRINT NOR THE INFORMATION CONTAINED HEREON IS TO BE USED AGAINST THE INTERESTS OF SENSATA TECHNOLOGIES OR AGAINST THE INTERESTS OF ANY OF ITS AFFILIATED COMPANIES OR WHOLLY OWNED SUBSIDIARIES.</small>		<small>INTERPRET DIMENSIONING AND TOLERANCING PER ASME Y14.5-2009. UNLESS OTHERWISE SPECIFIED DIMENSIONS ARE IN MILLIMETERS. TOLERANCES</small> DECIMALS ANGLES	
TITLE 1NT01L HIGH PROFILE LOOSE EAR CONFIGURATION ENVELOPE DRAWING		SIZE A2	DWG NO. 1NT01L-79XX
SCALE 1:2		SOLIDWORKS	REV. B
SHEET 1 OF 1			